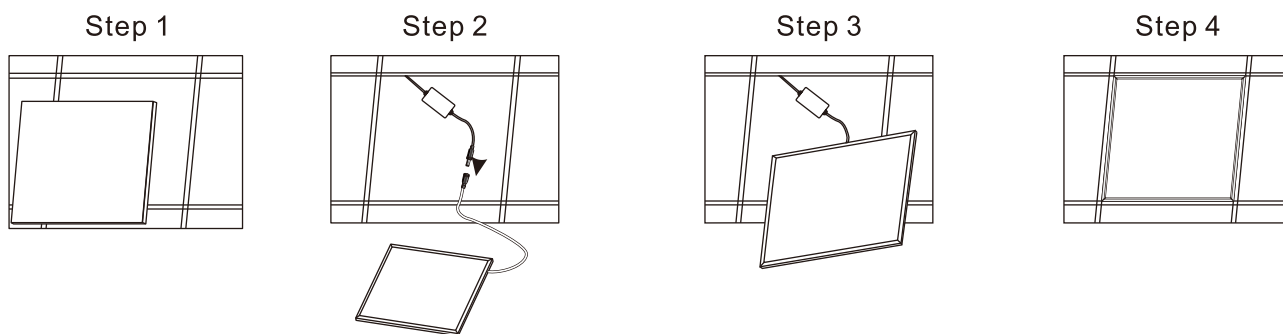


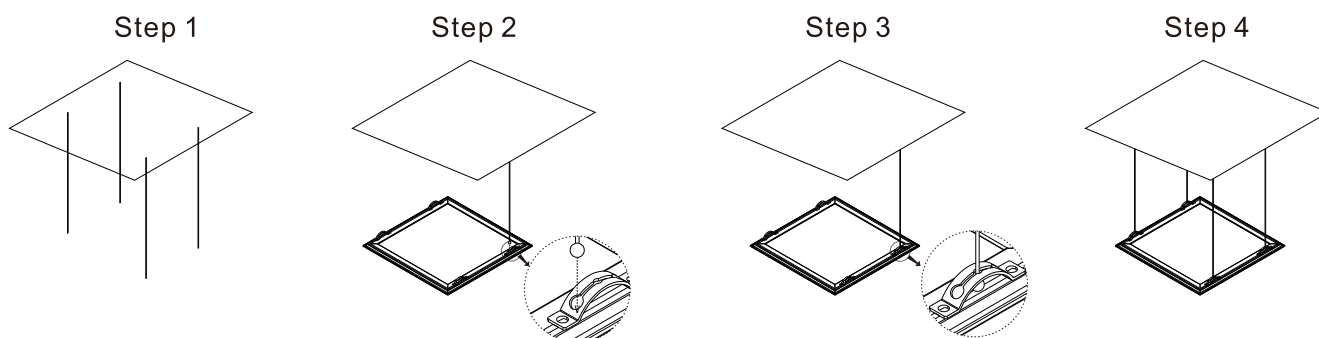
Installation Instruction of LED Panel Lights

Method of installation 安裝方式

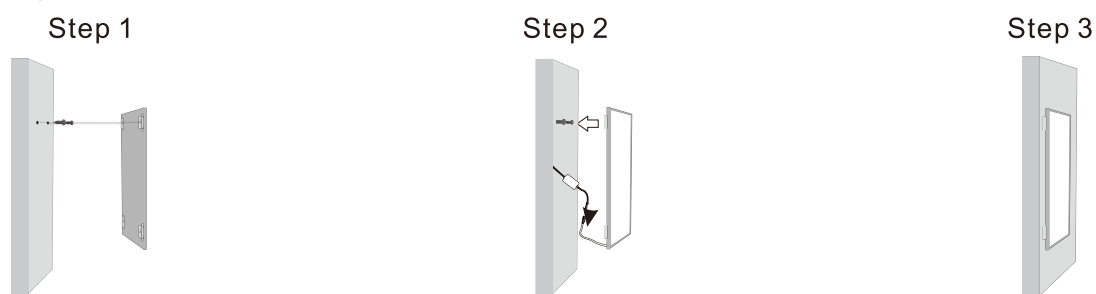
1. Embedded Installation(集成吊頂式安裝)



2. Hanging on the ceiling(吊頂式安裝)



3. Hanging on the wall(掛式按安裝)



4. Spring installation(卡簧安裝)

